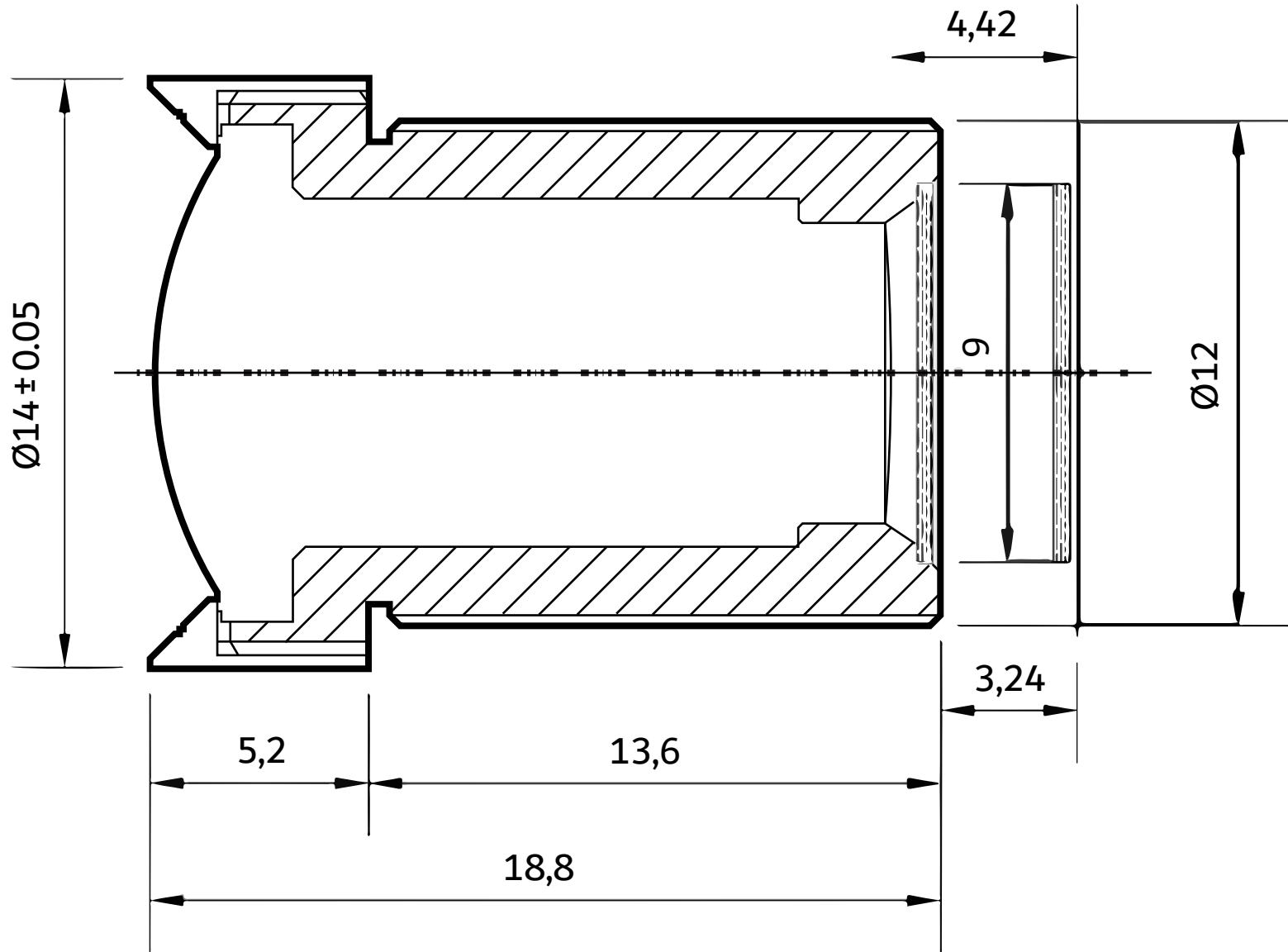


Optical Format	1/2.5"	
EFL (mm)	4	
35mm BFL	3.42	
Construction	2G2P+IR	
F/NO.	2.8	
Mechanical BFL (mm)	3.24	
F.O.V	Horizontal	75°
	Vertical	60°
	Diagonal	96°
Lens Holder Height	13mm	
IR Filter	650 IR Filter	
Mount	M12	
Workin Wavelength	400-700nm	
MOD	0.3m	
HFOV on 1/4" RPi Cam	45°	



Part Number
20-1140-01

Size	Units	Weight
14x18.7	mm	5g

Remark	Tolerances (mm)	Date	Revision
X	0=10 ± 0.05	2020-08-27	1.0A
X.0	10=30 ± 0.10		
X.00	30=120 ± 0.20		
Angle	± 2°		